

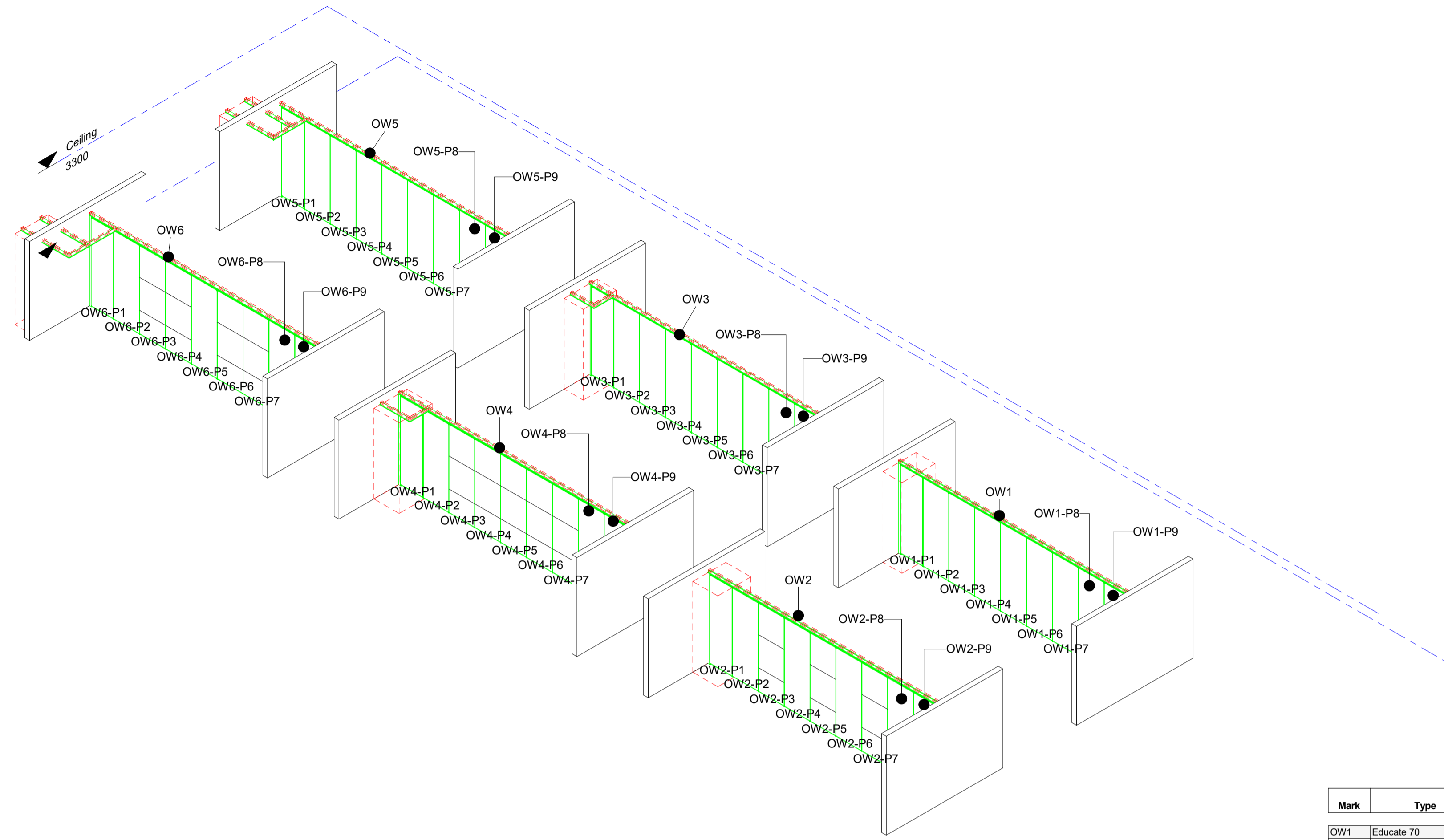
Consultant
Address
Address
Phone
Fax
e-mail

Consultant
Address
Address
Phone
Fax
e-mail

Consultant
Address
Address
Phone
Fax
e-mail

Consultant
Address
Address
Phone
Fax
e-mail

Project Address



Mark	Type	From Room Name	Height	Width	Thickness	Rough Height	Rough Width	Acoustic Rating	Security Rating	Comments	Type Comments
OW1	Educate 70		3300	9800	75	3400	9800				
OW1-P1	Educate 70 - RW42		3230	950	75	3300	1154	RW42			
OW1-P2	Educate 70 - RW42		3230	1088	75	3300	1124	RW42			
OW1-P3	Educate 70 - RW42		3230	1088	75	3300	1124	RW42			
OW1-P4	Educate 70 - RW42		3230	1088	75	3300	1124	RW42			
OW1-P5	Educate 70 - RW42		3230	1088	75	3300	1124	RW42			
OW1-P6	Educate 70 - RW42		3230	1088	75	3300	1124	RW42			
OW1-P7	Educate 70 - RW42		3230	1088	75	3300	1124	RW42			
OW1-P8	Educate 70 - RW42		3230	1088	75	3300	1124	RW42			
OW1-P9	Educate 70 - RW42		3230	1088	75	3300	1124	RW42			
OW2	Educate 100		3300	9800	104	3400	9800				
OW2-P1	Educate 100 - RW50		3230	950	103	3300	950	RW50			
OW2-P2	Educate 100 - RW50		3230	1088	103	3300	1088	RW50			
OW2-P3	Educate 100 - RW50		3230	1088	103	3300	1109	RW50			
OW2-P4	Educate 100 - RW50		3230	1088	103	3300	1109	RW50			
OW2-P5	Educate 100 - RW50		3230	1088	103	3300	1109	RW50			
OW2-P6	Educate 100 - RW50		3230	1088	103	3300	1109	RW50			
OW2-P7	Educate 100 - RW50		3230	1088	103	3300	1109	RW50			
OW2-P8	Educate 100 - RW50		3230	1088	103	3300	1109	RW50			
OW2-P9	Educate 100 - RW50		3230	1088	103	3300	1109	RW50			
OW3	Educate 70		3300	9800	75	3400	9800				
OW3-P1	Educate 70 - RW42		3230	950	75	3300	1154	RW42			
OW3-P2	Educate 70 - RW42		3230	1088	75	3300	1124	RW42			
OW3-P3	Educate 70 - RW42		3230	1088	75	3300	1124	RW42			
OW3-P4	Educate 70 - RW42		3230	1088	75	3300	1124	RW42			
OW3-P5	Educate 70 - RW42		3230	1088	75	3300	1124	RW42			
OW3-P6	Educate 70 - RW42		3230	1088	75	3300	1124	RW42			
OW3-P7	Educate 70 - RW42		3230	1088	75	3300	1124	RW42			
OW3-P8	Educate 70 - RW42		3230	1088	75	3300	1124	RW42			
OW3-P9	Educate 70 - RW42		3230	1088	75	3300	1124	RW42			
OW4	Educate 100		3300	9800	104	3400	9800				
OW4-P1	Educate 100 - RW50		3230	950	103	3300	950	RW50			
OW4-P2	Educate 100 - RW50		3230	1088	103	3300	1088	RW50			
OW4-P3	Educate 100 - RW50		3230	1088	103	3300	1109	RW50			
OW4-P4	Educate 100 - RW50		3230	1088	103	3300	1109	RW50			
OW4-P5	Educate 100 - RW50		3230	1088	103	3300	1109	RW50			
OW4-P6	Educate 100 - RW50		3230	1088	103	3300	1109	RW50			
OW4-P7	Educate 100 - RW50		3230	1088	103	3300	1109	RW50			
OW4-P8	Educate 100 - RW50		3230	1088	103	3300	1109	RW50			
OW4-P9	Educate 100 - RW50		3230	1088	103	3300	1109	RW50			
OW5	Educate 70		3300	9800	75	3400	9800				
OW5-P1	Educate 70 - RW42		3230	950	75	3300	1154	RW42			
OW5-P2	Educate 70 - RW42		3230	1088	75	3300	1124	RW42			
OW5-P3	Educate 70 - RW42		3230	1088	75	3300	1124	RW42			
OW5-P4	Educate 70 - RW42		3230	1088	75	3300	1124	RW42			
OW5-P5	Educate 70 - RW42		3230	1088	75	3300	1124	RW42			
OW5-P6	Educate 70 - RW42		3230	1088	75	3300	1124	RW42			
OW5-P7	Educate 70 - RW42		3230	1088	75	3300	1124	RW42			
OW5-P8	Educate 70 - RW42		3230	1088	75	3300	1124	RW42			
OW5-P9	Educate 70 - RW42		3230	1088	75	3300	1124	RW42			
OW6	Educate 100		3300	9800	75	3400	9800				
OW6-P1	Educate 100 - RW50		3230	950	103	3300	950	RW50			
OW6-P2	Educate 100 - RW50		3230	1088	103	3300	1088	RW50			
OW6-P3	Educate 100 - RW50		3230	1088	103	3300	1109	RW50			
OW6-P4	Educate 100 - RW50		3230	1088	103	3300	1109	RW50			
OW6-P5	Educate 100 - RW50		3230	1088	103	3300	1109	RW50			
OW6-P6	Educate 100 - RW50		3230	1088	103	3300	1109	RW50			
OW6-P7	Educate 100 - RW50		3230	1088	103	3300	1109	RW50			
OW6-P8	Educate 100 - RW50		3230	1088	103	3300	1109	RW50			
OW6-P9	Educate 100 - RW50		3230	1088	103	3300	1109	RW50			

EDUCATE OPERABLE WALLS

3D & SCHEDULE

Project number

Date **09/04/2021**

Drawn by **AIPAL**

Checked by

1

Scale

PLEASE NOTE:

Max. **1100mm** and Min. **88mm** from underside of structural support to ceiling.

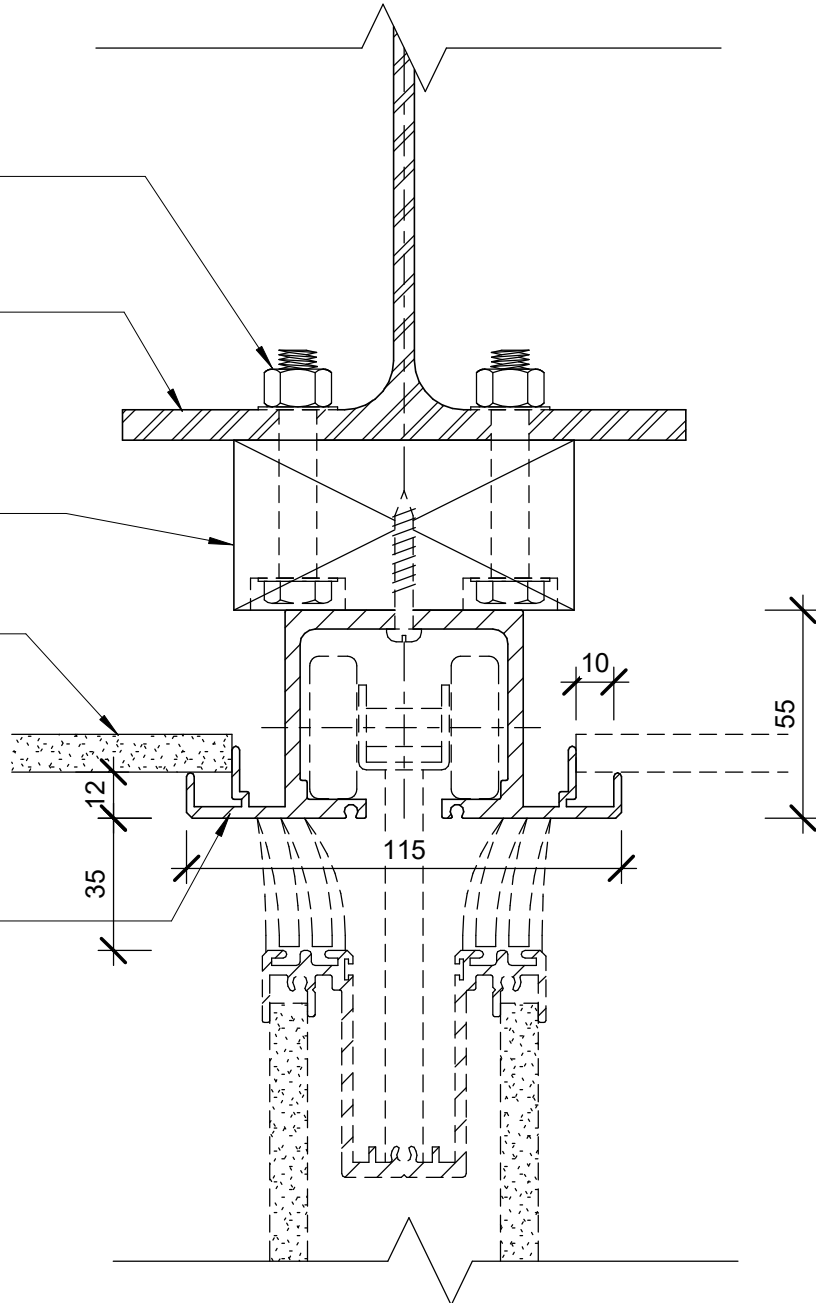
M10 x 65 HEX BOLTS @
600 CRS (STAGGERED)

STRUCTURAL BEAM BY
ENGINEER

90mm x 45mm
TIMBER BATTEN

CEILING

OPERABLE WALL TRACK



www.unifold.com.au

**EDUCATE
OPERABLE WALLS**

**TRACK TO STEEL FIXING -
SECTION**

Project number

Date 09/04/2021

Drawn by AIPAL

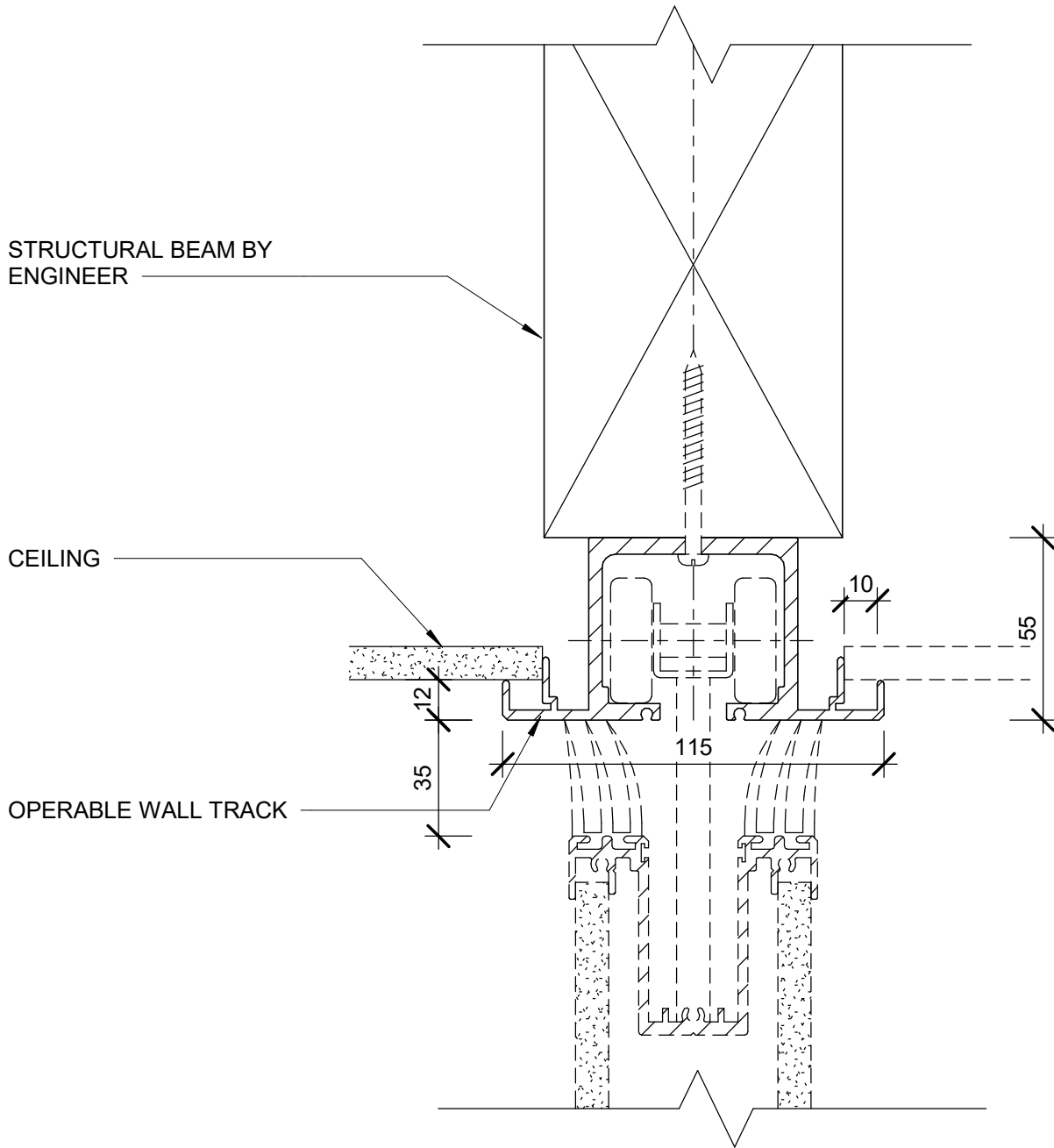
Checked by

3

Scale 1 : 2

PLEASE NOTE:

Max. 1100mm and Min. 88mm from underside of structural support to ceiling.



www.unifold.com.au

**EDUCATE
OPERABLE WALLS**

**TRACK TO TIMBER FIXING -
SECTION**

Project number

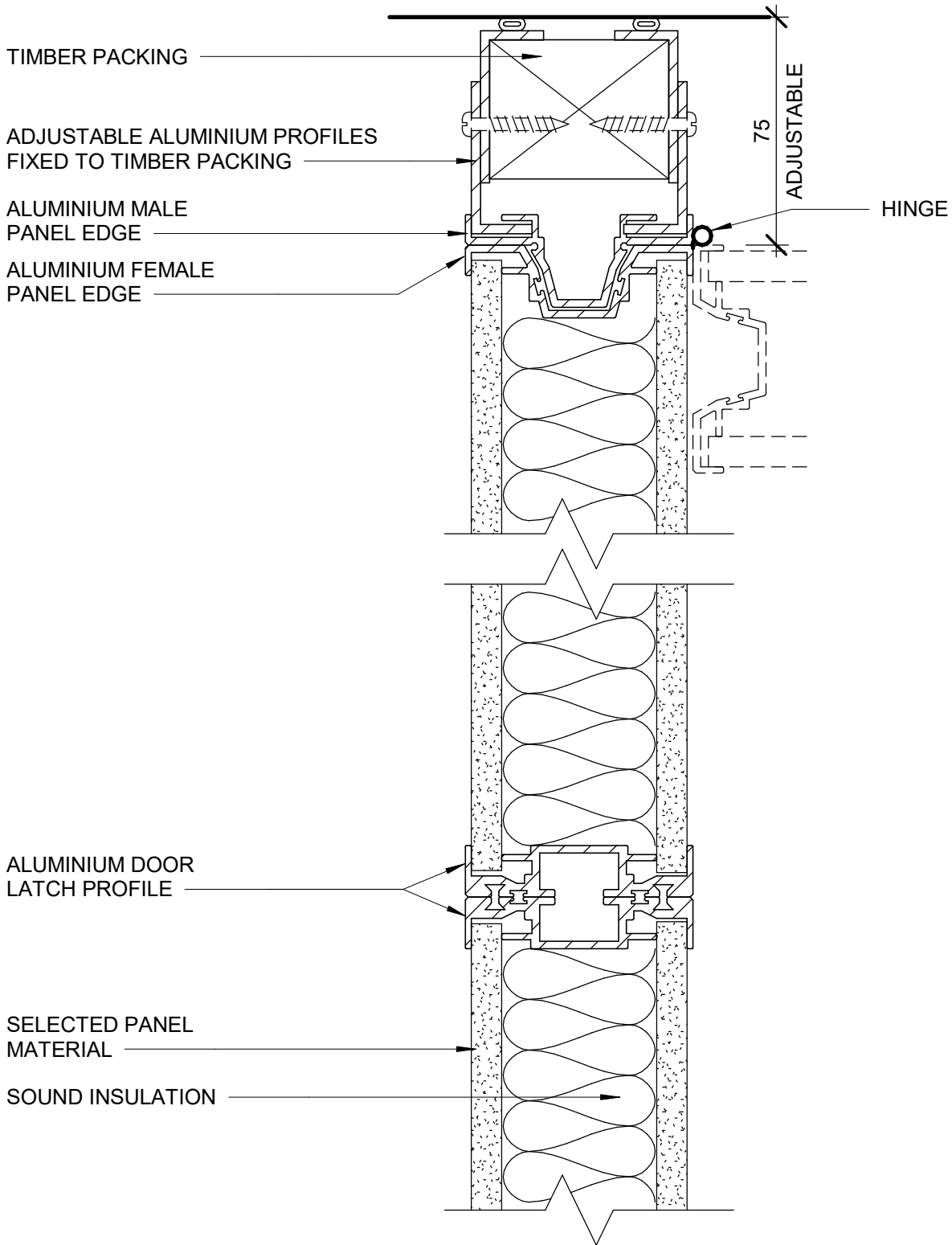
Date 09/04/2021

Drawn by AIPAL

Checked by

4

Scale 1 : 2



www.unifold.com.au

**EDUCATE
OPERABLE WALLS**

DOOR HINGE JAMB - PLAN

Project number

Date 09/04/2021

Drawn by AIPAL

Checked by

5

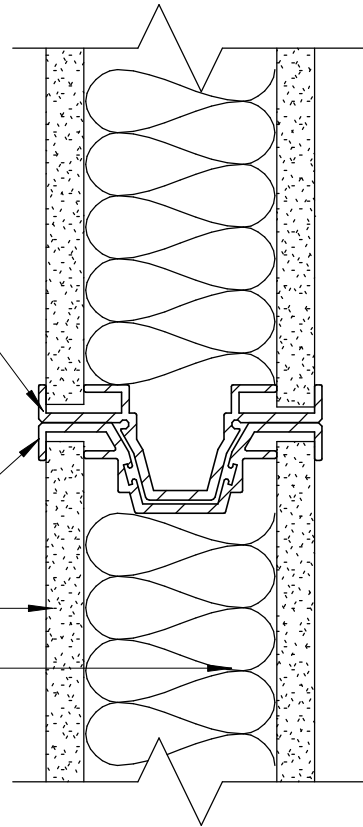
Scale 1 : 2

ALUMINIUM MALE
PANEL EDGE

ALUMINIUM FEMALE
PANEL EDGE

SELECTED PANEL
MATERIAL

SOUND INSULATION



www.unifold.com.au

EDUCATE OPERABLE WALLS

PANEL JOIN - PLAN

Project number

Date 09/04/2021

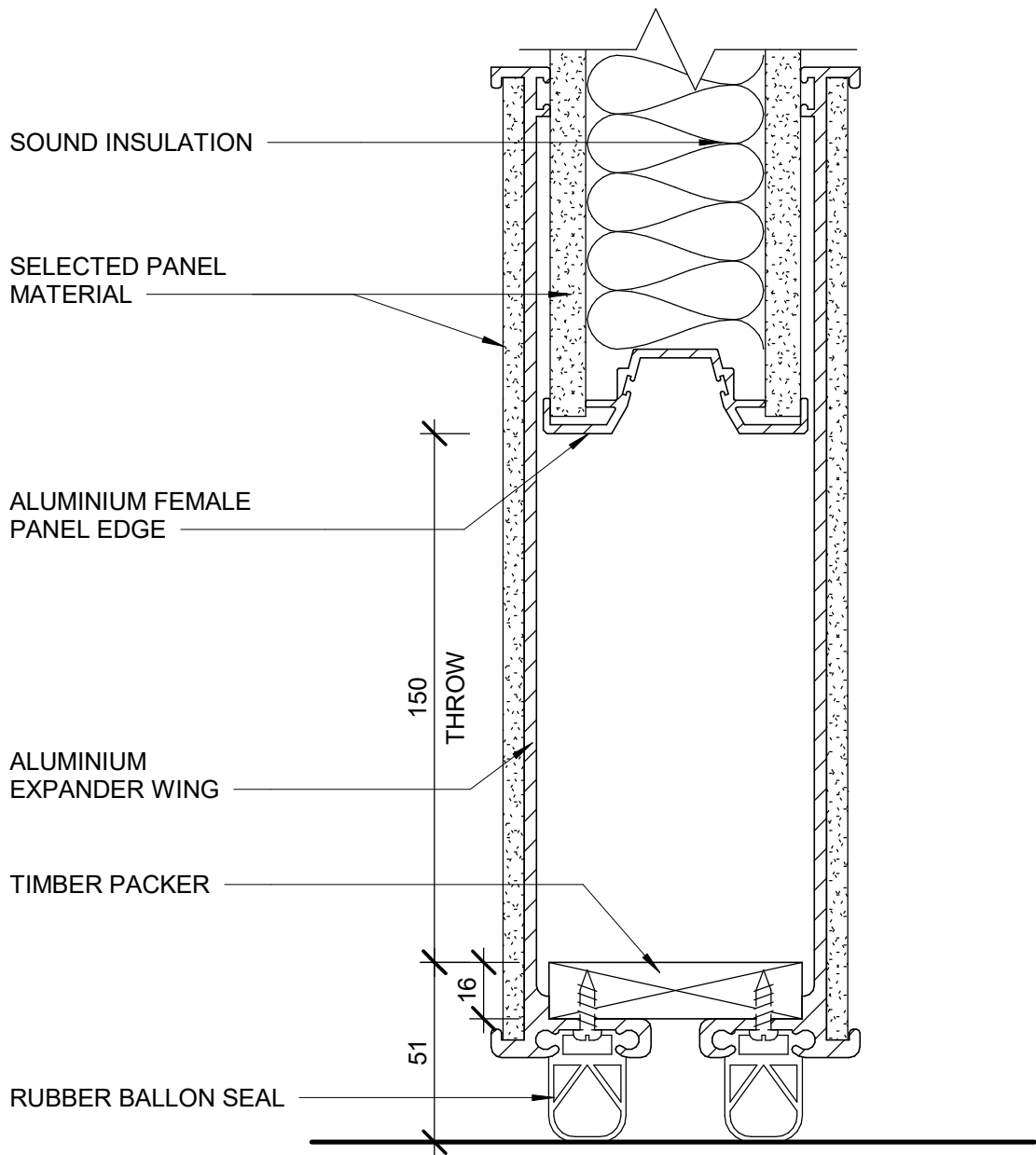
Drawn by AIPAL

Checked by

6

Scale

1 : 2



www.unifold.com.au

**EDUCATE
OPERABLE WALLS**

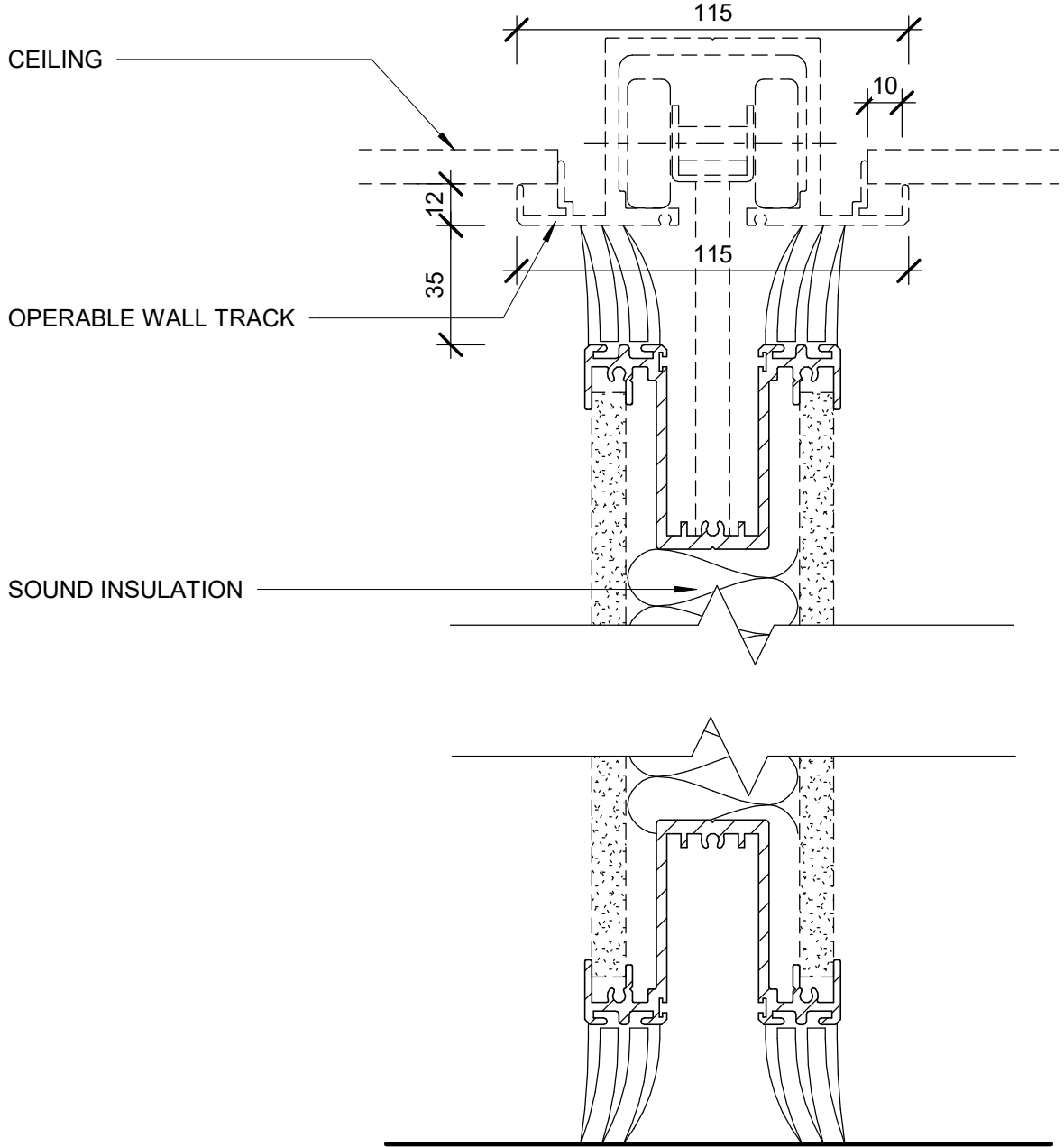
EXPANDER PANEL - PLAN

Project number
Date 09/04/2021
Drawn by AIPAL
Checked by

7
Scale 1 : 2

PLEASE NOTE:

Max. **1100mm** and Min. **88mm** from underside of structural support to ceiling.



www.unifold.com.au

**EDUCATE
OPERABLE WALLS**

SEAL FIXED - SECTION

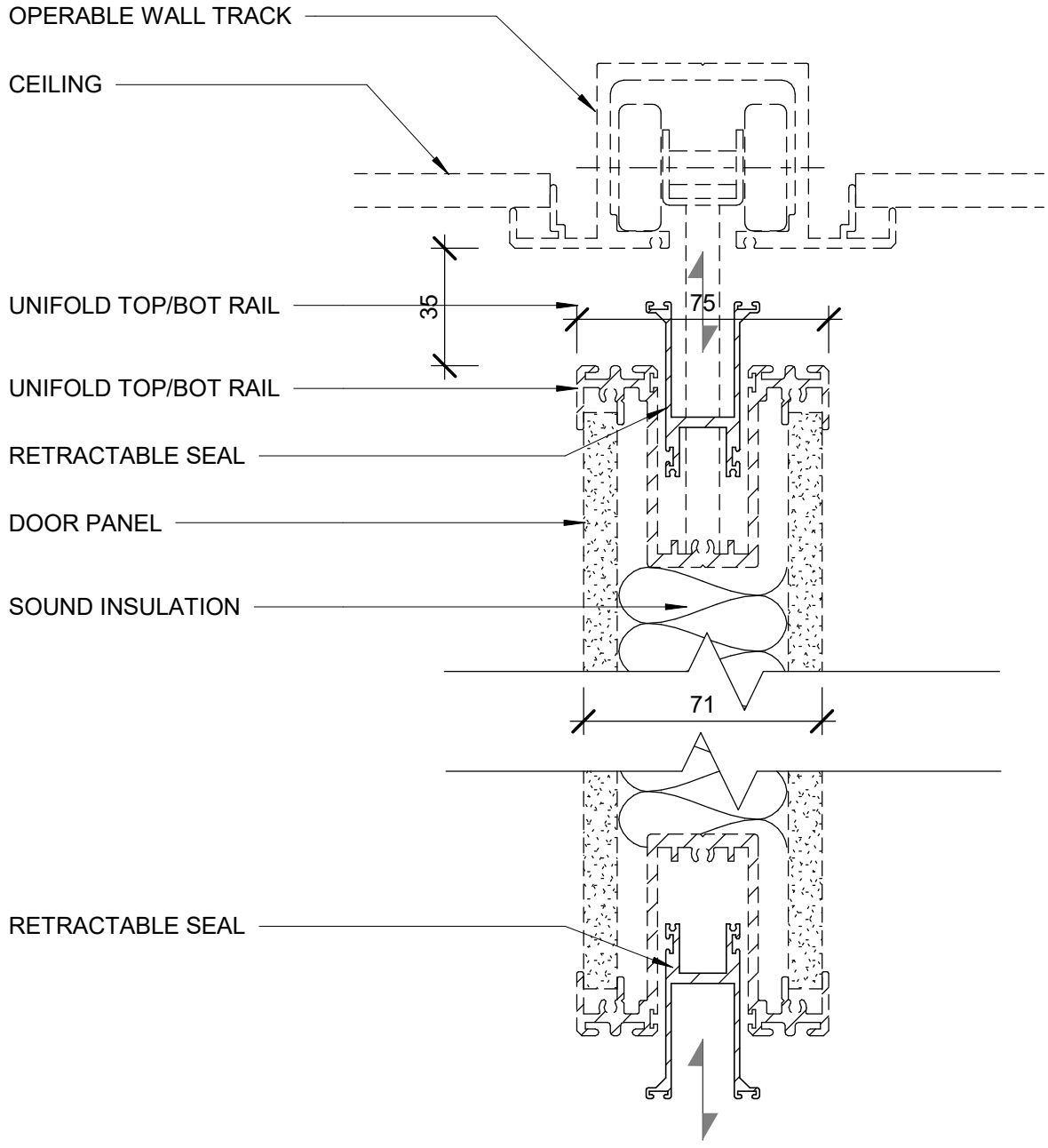
Project number
Date 09/04/2021
Drawn by AIPAL
Checked by

8

Scale 1 : 2

PLEASE NOTE:

Max. 1100mm and Min. 88mm from underside of structural support to ceiling.



www.unifold.com.au

**EDUCATE
OPERABLE WALLS**

SEAL RECESSED - SECTION

Project number
Date 09/04/2021
Drawn by AIPAL
Checked by

9
Scale 1 : 2